

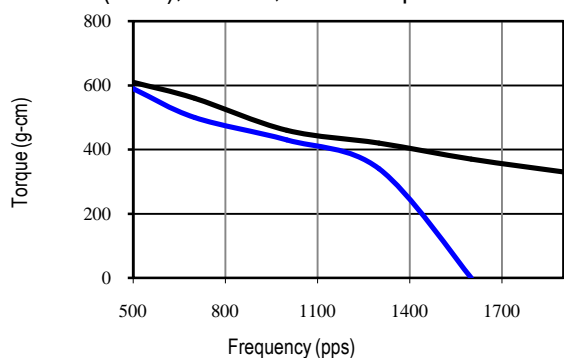
# T4222 Series

## SPECIFICATIONS

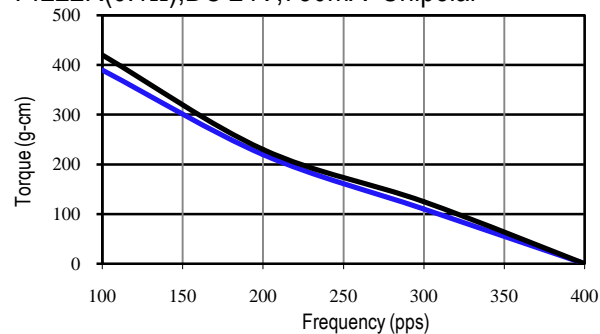
Item	T4222R-Bipolar	T4222R-Unipolar
1. Rated Voltage (V)	DC 24	DC 12
2. Rated Current/Phase (mA/RMS)	600	/
3. Coil DC Resistance (Ohm)	4±10%	43±10%
4. Step Angle (Degree)	7.5	7.5
5. Drive Mode	Constant Current	Constant Current
6. Excitation Method (Bipolar Driving)	1-2 Phase excitation	2-2 Phase
7. Insulation Class	Class E	Class E
8. Pull-out Torque (g-cm/pps)	250 /1600	180 /200
9. Pull-in Torque (g-cm/pps)	340 /1000	170 /200
10. Max. Pull-out Pulse Rate (pps)	3000	350
11. Max. Pull-in Pulse Rate (pps)	1450	350

## CHARACTERISTICS

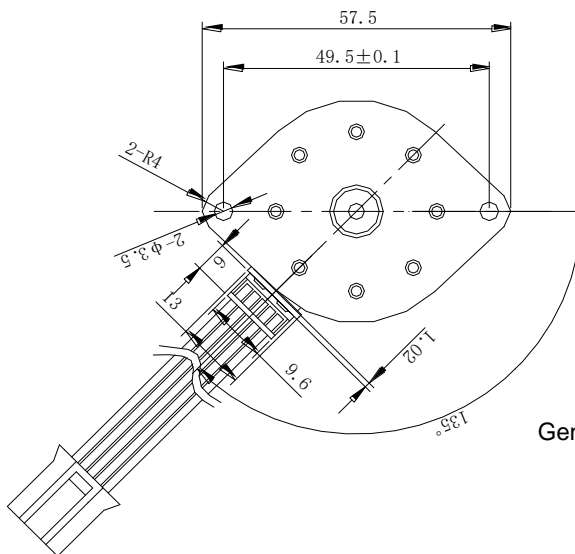
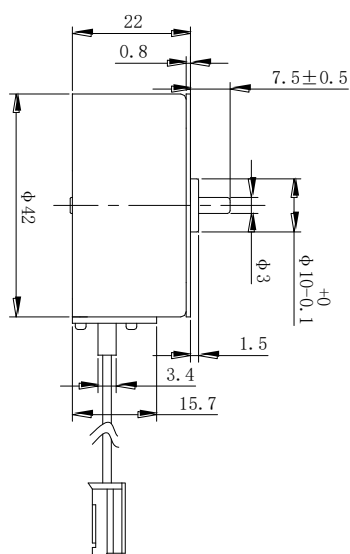
T4222R(6.1Ω),DC 24V,750mA Bipolar 1-2 Phase



T4222R(6.1Ω),DC 24V,750mA Unipolar



## DIMENSIONS



Unit: mm  
General Tolerance: ±0.1