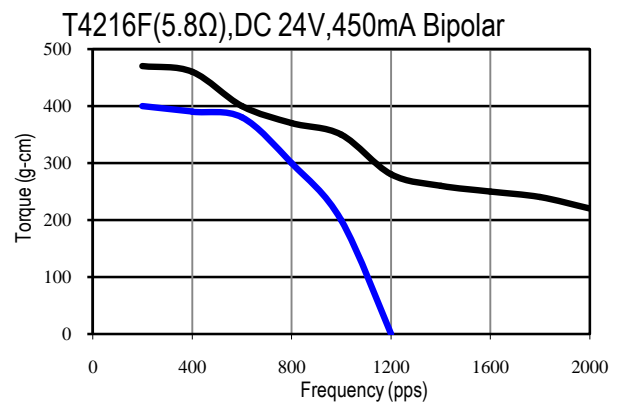
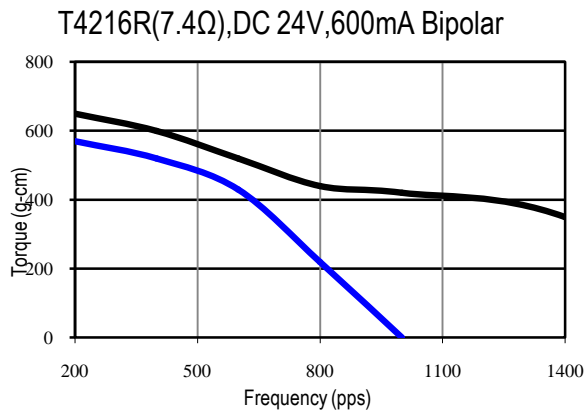


T4216 Series

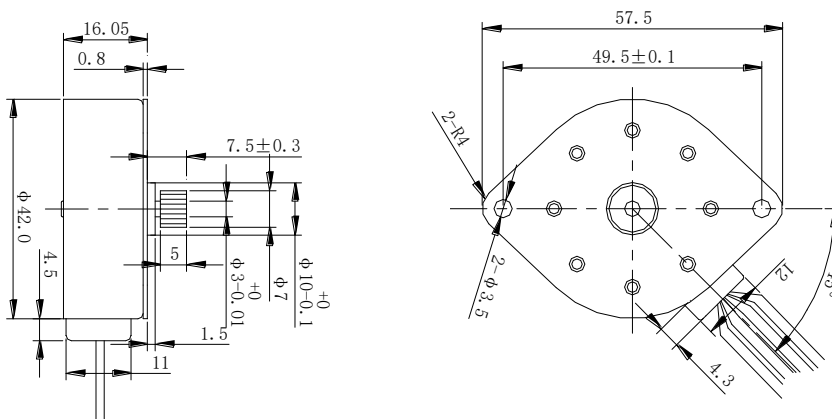
SPECIFICATIONS

Item	T4216R	T4216F
1. Rated Voltage (V)	DC 24	DC 24
2. Rated Current/Phase (mA/RMS)	600	450
3. Coil DC Resistance (Ohm)	7.4±10%	5.8±10%
4. Step Angle (Degree)	7.5	3.75
5. Drive Mode	Constant Current	Constant Current
6. Excitation Method (Bipolar Driving)	2-2 Phase excitation	2-2 Phase excitation
7. Insulation Class	Class E	Class E
8. Pull-out Torque (g-cm/pps)	350/600	290 /500
9. Pull-in Torque (g-cm/pps)	300 /1400	220/1000
10. Max. Pull-out Pulse Rate (pps)	1500	2000
11. Max. Pull-in Pulse Rate (pps)	800	750

CHARACTERISTICS



DIMENSIONS



Unit: mm
General Tolerance: ±0.1