

Stepping Motors

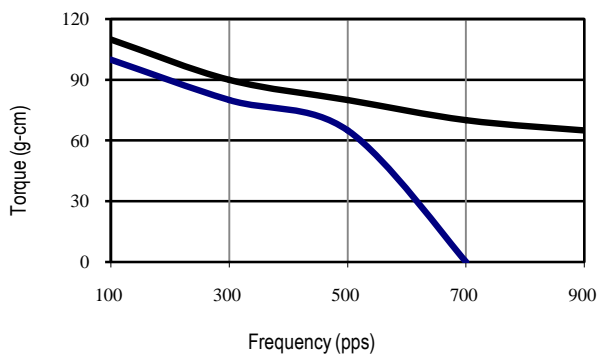
T2515 Series

SPECIFICATIONS

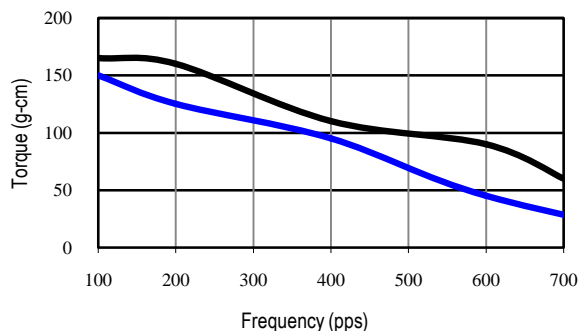
Item	T2515J	T2515R
1. Rated Voltage (V)	DC 24	DC 12
2. Rated Current/Phase (mA/RMS)	350	240
3. Coil DC Resistance (Ohm)	18±10%	30±10%
4. Step Angle (Degree)	15	7.5
5. Drive Mode	Constant Current	Constant Current
6. Excitation Method (Bipolar driving)	2-2 Phase excitation	2-2 Phase excitation
7. Insulation Class	Class E	Class E
8. Pull-out Torque (g-cm/pps)	70/100	80/400
9. Pull-in Torque (g-cm/pps)	60/100	70/400
10. Max. Pull-out Pulse Rate (pps)	1500	800
11. Max. Pull-in Pulse Rate (pps)	650	750

CHARACTERISTICS

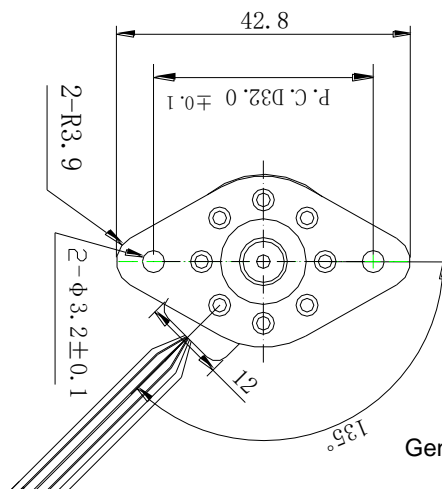
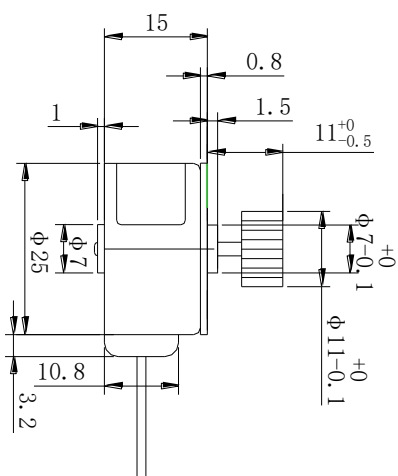
T2515J(18Ω),DC 24V,350mA Bipolar 2-2 Phase



T2515R(30Ω),DC 12V,240mA/P Bipolar 2-2 Phase



DIMENSIONS



Unit: mm
General Tolerance: ±0.1