

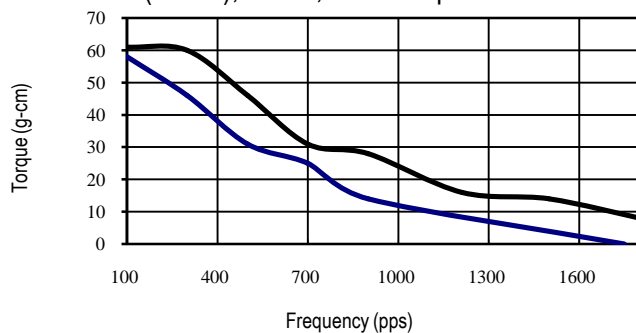
# T2512 Series

## SPECIFICATIONS

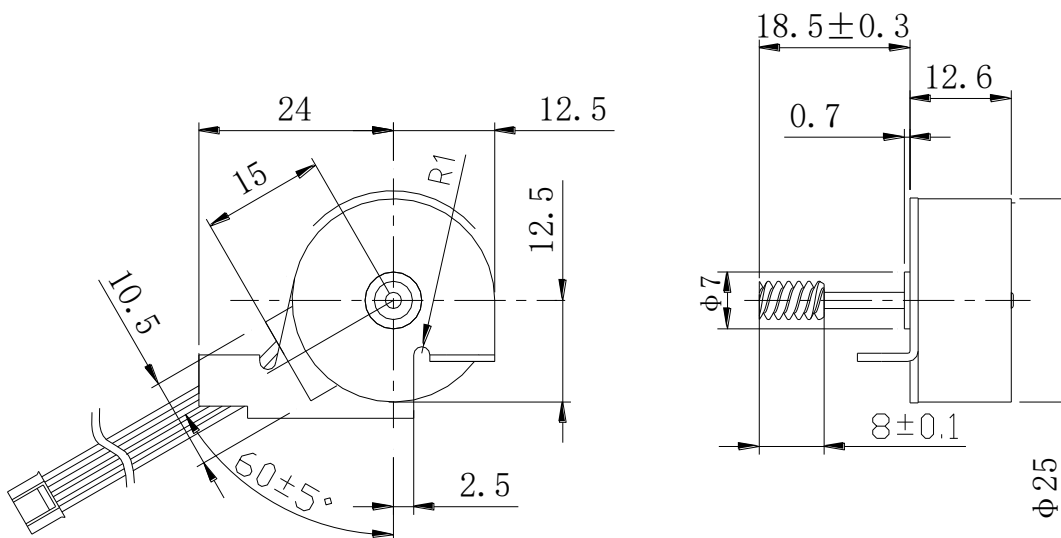
Item	T2512R
1. Rated Voltage (V)	DC 5
2. Rated Current/Phase (mA/RMS)	130
3. Coil DC Resistance (Ohm)	10.1±10%
4. Step Angle (Degree)	7.5
5. Drive Mode	Constant Current
6. Excitation Method	1-2 Phase excitation(Bipolar driving)
7. Insulation Class	Class E
8. Pull-out Torque (g-cm/pps)	16/1212
9. Pull-in Torque (g-cm/pps)	10/1212
10. Max. Pull-out Pulse Rate (pps)	2000
11. Max. Pull-in Pulse Rate (pps)	1300

## CHARACTERISTICS

T2512R(10.1Ω),DC 5V,130mA Bipolar 1-2Phase



## DIMENSIONS



Unit: mm

General Tolerance: ±0.1