

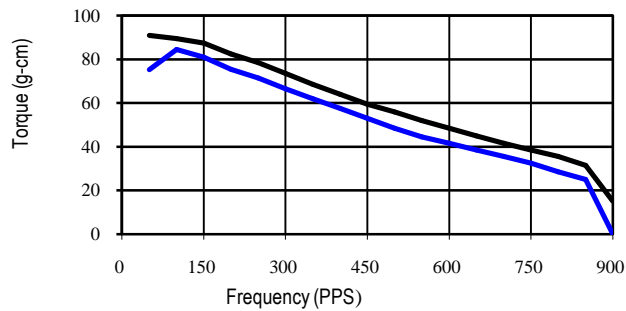
# T2015 Series

## SPECIFICATIONS

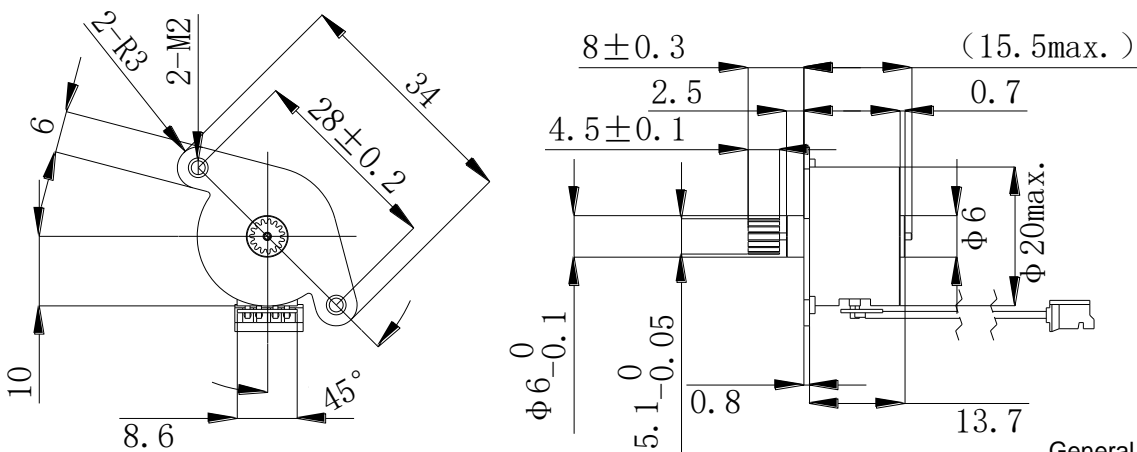
Item	T2015N
1. Rated Voltage (V)	DC 5
2. Rated Current/Phase (mA/RMS)	794mA(RMS) at 100pps
3. Coil DC Resistance (Ohm)	6.3±10%
4. Step Angle (Degree)	18
5. Drive Mode	Constant Current
6. Excitation Method	2-2 Phase excitation(Bipolar driving)
7. Insulation Class	Class E
8. Pull-out Torque (g-cm/pps)	53 /500
9. Pull-in Torque (g-cm/pps)	43 /500
10. Max. Pull-out Pulse Rate (pps)	810
11. Max. Pull-in Pulse Rate (pps)	800

## CHARACTERISTICS

T2015N(6.3Ω),DC 5V,794mA Bipolar



## DIMENSIONS



Unit: mm

General Tolerance: ±0.1