

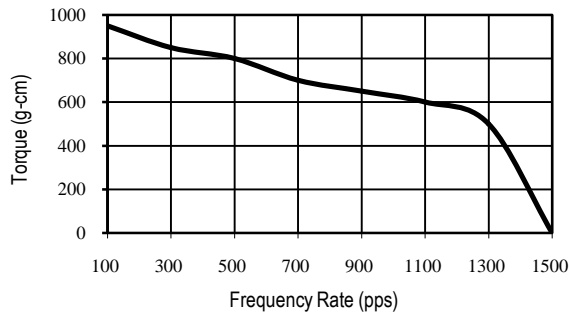
# T1511G Series

## SPECIFICATIONS

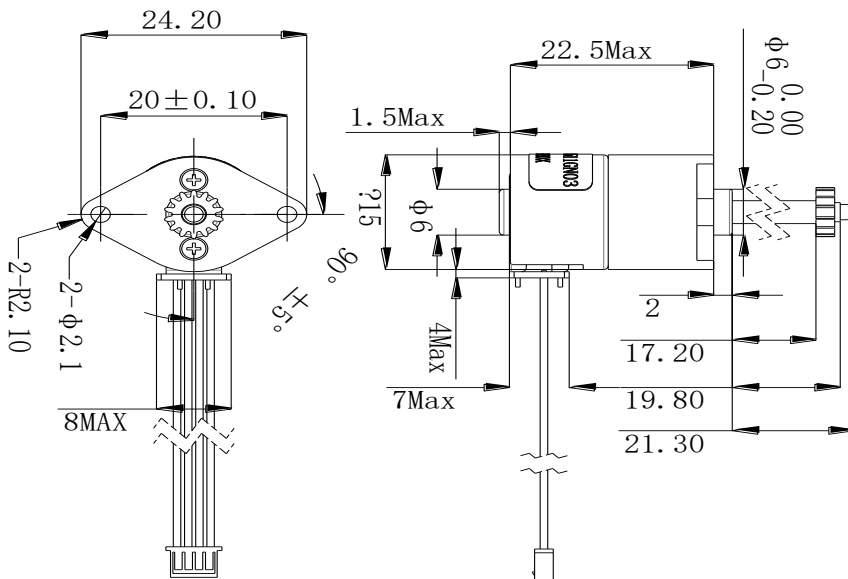
Item	T1511GN	T1511GN
1. Rated Voltage (V)	DC 5	DC 5
2. Rated Current/Phase (mA/RMS)	170	170
3. Coil DC Resistance (Ohm)	10±10%	10±10%
4. Step Angle (Degree)	18/ 50	18/100
5. Gear Ratio	1/50	1/100
6. Drive Mode	Constant Current	Constant Current
7. Excitation Method	2-2 Phase excitation(Bipolar driving)	2-2 Phase excitation(Bipolar driving)
8. Insulation Class	Class E	Class E
9. Pull-out Torque (g-cm/pps)	450/200	900/200
10. Max. Pull-out Pulse Rate (pps)	1500	1500
11. Max. Pull-in Pulse Rate (pps)	1000	1000

## CHARACTERISTICS

T1511GN(10Ω),DC 5V,170mA Bipolar



## DIMENSIONS



Unit: mm  
General Tolerance: ±0.1