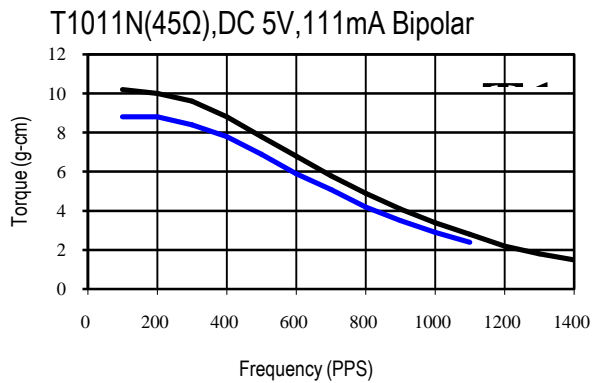


T1011 Series

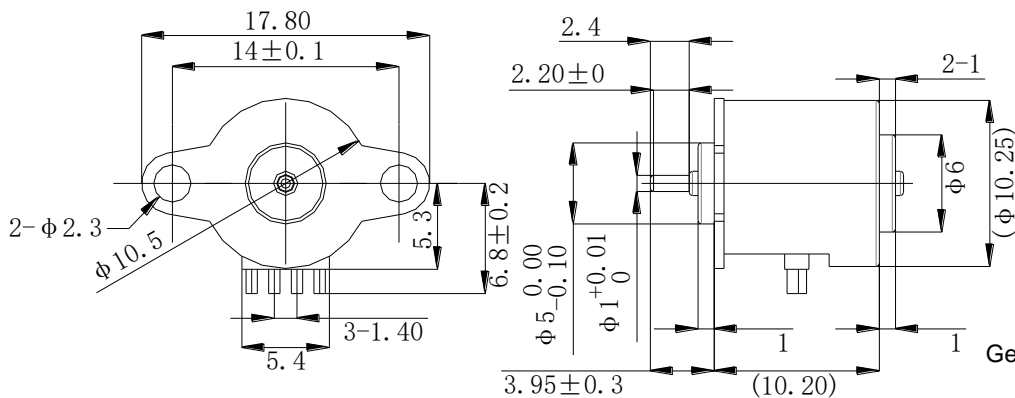
SPECIFICATIONS

Item	T1011N
1. Rated Voltage (V)	DC 5
2. Rated Current/Phase (mA/RMS)	111
3. Coil DC Resistance (Ohm)	45±10%
4. Step Angle (Degree)	18
5. Drive Mode	Constant Voltage
6. Excitation Method	2-2 Phase excitation(Bipolar driving)
7. Insulation Class	Class E
8. Pull-out Torque (g-cm/pps)	5.9/500
9. Pull-in Torque (g-cm/pps)	5.6 /500
10. Max. Pull-out Pulse Rate (pps)	1310
11. Max. Pull-in Pulse Rate (pps)	1160

CHARACTERISTICS



DIMENSIONS



Unit: mm
General Tolerance: ±0.1